

Butterfly Valve Figure HB701

Applications :

This kind of butterfly valve is widely utilized in foodstuff, pharmacy, chemical industry, industrial environmental protection, water treatment, high building, water supply and drain tubing line. Open or Close or adjusting.



Technical Data :

- Size : 2"-48"
- Design Standard : API609, BS5155, etc.
- Face to Face : DIN3202-K1, BS5155, ISO 5752
- Flange Drilling: DIN2501, PN10/PN16, BS10-D, JIS10K, BS4504, ANSI125/150, AS2129 Table D/E, ASA125/150 etc.
- Pressure test : API 598, DIN3230, ISO 5208
- Top Flange Drilling : ISO 5211

Features :

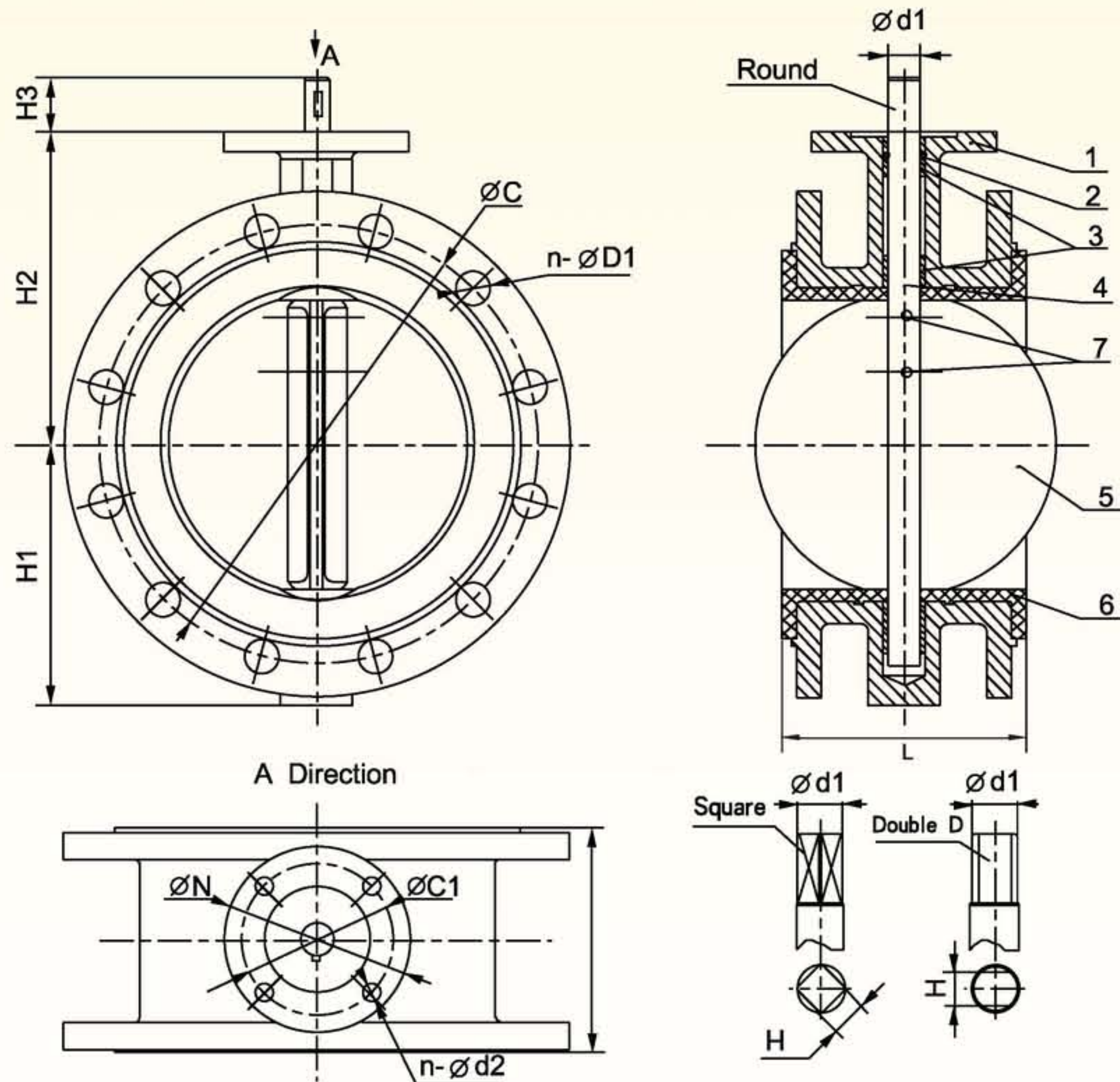
- Double flanged style fit between FF or RF flanges
- High strength body and large safety factor ensure the body can resist high pipe pressure.
- Overall Vulcanization liner with good performance of resisting tearing apartment and deformation.
- Pin connection one piece shaft with the features of counter bending and simple reliable structure
- Universal ISO 5211 mounting Pad.

Materials :

| NO | PART NAME | MATERIAL |
|----|-----------|---------------------------------------|
| 1 | Body | Cast Iron / Ductile Iron / Cast Steel |
| 2 | O ring | EPDM / NBR |
| 3 | Bushing | Bronze / PTFE |
| 4 | Stem | Stainless Steel AISI316 / AISI420 |
| 5 | Disc | Stainless Steel CF8 / CF8M |
| 6 | Seat | EPDM / NBR |
| 7 | Pin | Stainless Steel |

* Other material request kindly refer to Bill of Main Materials of Hylic.

Butterfly Valve Figure HB701



Dimensions :

| Size | | L | H1 | H2 | H3 | DIN2501 PN16 | | Flange No | Ø N | Ø C1 | n-Ø d2 | Round | | Square/Double D | |
|------|--------|-----|-------|-------|------|--------------|-------|-----------|-----|------|--------|-------|------|-----------------|--|
| DN | NPS | | | | | Ø C | n-ØD1 | | | | | Ø d1 | Ø d1 | H | |
| 50 | 2" | 108 | 110 | 80 | 30 | 125 | 4-18 | F05 | 65 | 50 | 4-8 | 12.6 | 12.1 | 9 | |
| 65 | 2-1/2" | 112 | 134 | 80 | 30 | 145 | 4-18 | F05 | 65 | 50 | 4-8 | 12.6 | 12.1 | 9 | |
| 80 | 3" | 114 | 131 | 95 | 30 | 160 | 8-18 | F05 | 65 | 50 | 4-8 | 12.6 | 12.1 | 9 | |
| 100 | 4" | 127 | 150 | 114 | 30 | 180 | 8-18 | F07 | 90 | 70 | 4-10 | 15.77 | 12.1 | 11 | |
| 125 | 5" | 140 | 170 | 113 | 30 | 210 | 8-18 | F07 | 90 | 70 | 4-10 | 18.92 | 14.1 | 14 | |
| 150 | 6" | 140 | 180 | 139 | 30 | 240 | 8-22 | F07 | 90 | 70 | 4-10 | 18.92 | 18.1 | 14 | |
| 200 | 8" | 152 | 210 | 175 | 37 | 295 | 12-22 | F10 | 125 | 102 | 4-12 | 22.1 | 18.1 | 17 | |
| 250 | 10" | 165 | 245 | 203 | 37 | 355 | 12-26 | F10 | 125 | 102 | 4-12 | 28.45 | 28.2 | 22 | |
| 300 | 12" | 178 | 276 | 242 | 37 | 410 | 12-26 | F10 | 125 | 102 | 4-12 | 31.6 | 28.2 | 22 | |
| 350 | 14" | 190 | 328 | 250 | 45 | 470 | 16-26 | F10 | 125 | 102 | 4-12 | 31.6 | 28.2 | 22 | |
| 400 | 16" | 216 | 376 | 277 | 51.2 | 525 | 16-30 | F14 | 175 | 140 | 4-18 | 33.15 | 28.2 | 22 | |
| 450 | 18" | 222 | 406.6 | 295.2 | 51.2 | 585 | 20-30 | F14 | 175 | 140 | 4-18 | 38 | 36.2 | 27 | |
| 500 | 20" | 229 | 448 | 330 | 64.2 | 650 | 20-33 | F14 | 175 | 140 | 4-18 | 41.15 | 36.2 | 27 | |
| 600 | 24" | 267 | 518 | 420 | 70.2 | 770 | 20-36 | F16 | 210 | 165 | 4-22 | 50.65 | 48.2 | 36 | |
| Size | | L | H1 | H2 | H3 | DIN2501 PN10 | | Flange No | Ø N | Ø C1 | n-Ø d2 | Round | | Square/Double D | |
| DN | NPS | | | | | Ø C | n-ØD1 | | | | | Ø d1 | Ø d1 | H | |
| 700 | 28" | 292 | 560 | 450 | 66 | 840 | 24-30 | F25 | 300 | 254 | 8-18 | 55 | 60.2 | 46 | |
| 800 | 32" | 318 | 620 | 501 | 66 | 950 | 24-33 | F25 | 300 | 254 | 8-18 | 55 | 60.2 | 46 | |
| 900 | 36" | 330 | 692 | 558 | 118 | 1050 | 28-33 | F25 | 300 | 254 | 8-18 | 75 | 72.2 | 55 | |
| 1000 | 40" | 410 | 735 | 622 | 142 | 1170 | 28-36 | F25 | 350 | 298 | 8-18 | 85 | 72.2 | 55 | |
| 1200 | 48" | 470 | 917 | 763 | 160 | 1390 | 32-39 | F30 | 350 | 298 | 8-22 | 105 | 98.2 | 75 | |

Butterfly Valve Figure HB701

HB701 Series :

Hylic HB701 Series Butterfly Valve with Overall Vulcanization liner, pin or splined connection between disc and stem, center line double flanged style.

Top Flange:

Top flange as per ISO5211 standard can suit for all kinds of actuators such as handles, gear box, electric actuator and pneumatic actuators.

O ring:

Prevent stem from leakage.

Bushing:

Stem bushing reduces valve torque, isolate the stem from the valve body, prevent the stem from corrosion. PTFE or Bronze material stem bushing for you selection.

Seat(Liner):

The seat adopt Overall vulcanization structure, it's provided with the ability of resisting tearing apartment and deformation.

Stem Configuration:

Round with key, Square and double "D" for you selection.

Shaft Seal:

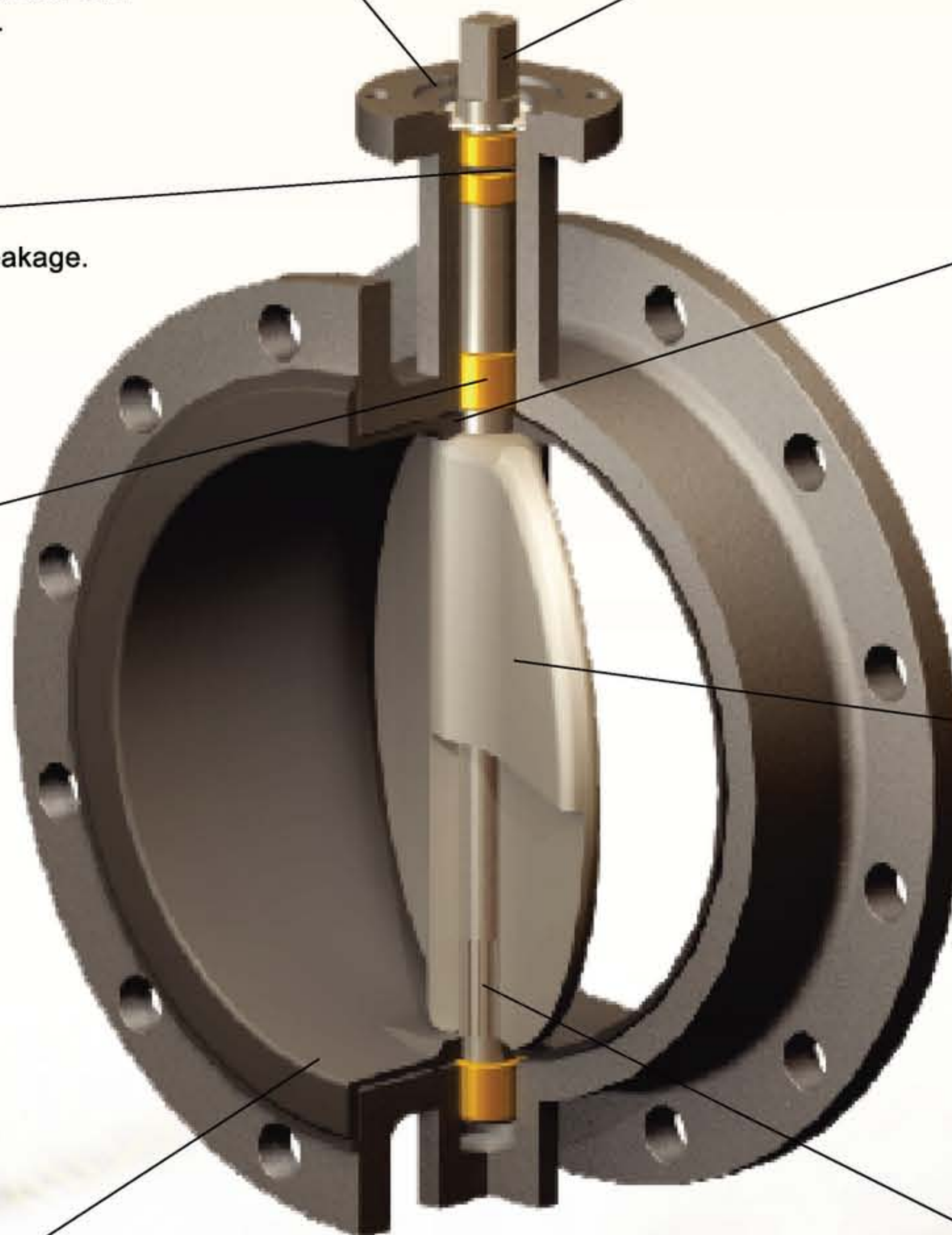
Bonding of elastomer to phenolic backing ring protects against distortion, a common cause of shaft leakage.

Disc:

Precision profile disc provides bubble-tight shut-off and assures minimum torque value and long seal lift.

Connection between disc and shaft:

The pin and spline connection are all available.



Butterfly Valve Figure HB701

Torque Value for Double Flange Concentric Type Butterfly Valve (N.m)

| W.P.(MPa) Size(mm) (inch) | | 0.6 | 0.8 | 1 | 1.6 |
|------------------------------|-----|--------|--------|-------|-------|
| | | | | | |
| DN100 | 4" | 23 | 30 | 32.6 | 44 |
| DN125 | 5" | 45 | 55 | 61 | 85.4 |
| DN150 | 6" | 80 | 105.3 | 117 | 182 |
| DN200 | 8" | 104 | 155 | 172 | 259 |
| DN250 | 10" | 208 | 248.5 | 276 | 388 |
| DN300 | 12" | 280 | 365.5 | 406 | 590 |
| DN350 | 14" | 780 | 830 | 850 | 1380 |
| DN400 | 16" | 797 | 941.5 | 1046 | 1265 |
| DN450 | 18" | 964 | 1421 | 1579 | 2301 |
| DN500 | 20" | 985 | 1766 | 1962 | 3420 |
| DN600 | 24" | 2342 | 2504.5 | 2783 | 5970 |
| DN700 | 28" | 3190 | 3885.5 | 4317 | 9070 |
| DN800 | 32" | 4880 | 7731 | 8590 | 13100 |
| DN900 | 36" | 6814.5 | 10701 | 11890 | 18180 |
| DN1000 | 40" | 9210 | 14346 | 15940 | 24420 |
| DN1200 | 48" | 15601 | 22464 | 24960 | 39503 |

Note: 1. Above data are all raw data, if used, please consider the safety ratio.
2. If assemble electric or pneumatic actuator, it should take the difference for each valve into consideration.

Distributor :

HYLIC CORPORATION

10770 DONNER PASS ROAD
TRUCKEE, CA, 96161 USA

e-mail : sales@hylic.com